



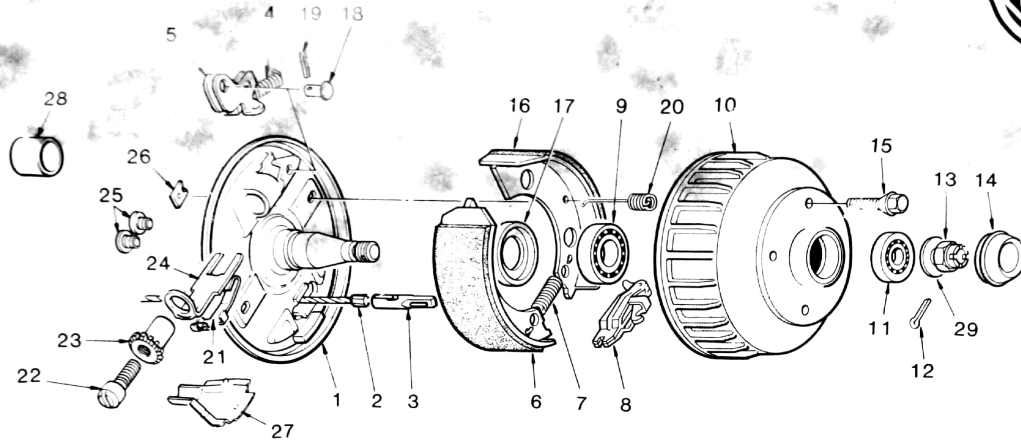
# AL-KO matic

**SECTION 6**

**ILLUSTRATED PARTS LIST**



**BRAKES 1637**

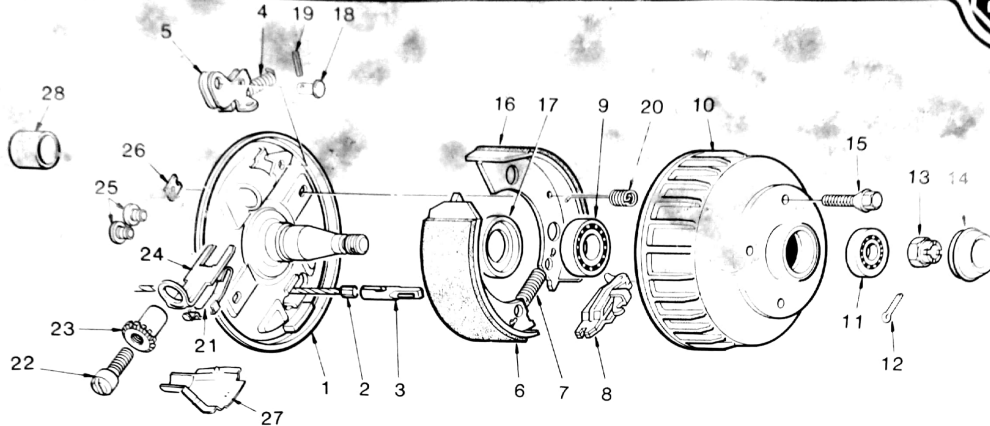


PART DESCRIPTION	PART No.	PART DESCRIPTION	PART No.	PART DESCRIPTION	PART No.
2 Bowden Cable		6 Brake Shoe	384 481	16 Brake Shoe (Right)	384 296
350	299 707	7 Tension Spring	218 215 00 03	17 Oil Seal B 40x52x7	701 511
530	299 708	8 Expanding Clutch	218 215 03	18 Pivot Pin	368 651
770	299 709	9 Bearing	701 513	19 Split Pin	700 192
890	299 710	10 Brake Drum		20 Pressure Spring	208 880 00 03
1010	299 711	98x4 / M 12x1,5	357 700	21 Leaf Spring	368 405
1130	299 712	100x4 / M 12x1,5	357 701	22 Adjusting Screw	218 737 00 02
1310	299 713	11 Bearing LM1 1749 / LM 11710	701 512	23 Adjusting Nut	218 737 08
1430	299 714	12 Split Pin Ø 4x30 DIN 94	700 194	24 Pressure Clip	368 395
1610	299 715	13 Castle Nut M 16x1,5 DIN 937	700 754	25 Screw	373 245
1790	299 716	14 Grease Cap	208 399 00 02	26 Cover Plate	238 261 00 02
3 Link	371 388	15 Wheel Bolt		27 Cover	371 387
4 Tension Spring (Left)	218 887 00 01	M 10x1,25	208 892 00 10	28 Lockwasher	218 215 00 05
Tension Spring (Right)	372 805	M 12x1,5	208 167 00 18	29 Bush	371 389
5 Transmission Lever (Left)	384 308	M 12x1,5	208 167 00 02		
Transmission Lever (Right)	384 309	M 14x1,5	208 167 00 02		
		M 18x1,5	218 568 00 06		

# ILLUSTRATED PARTS LIST



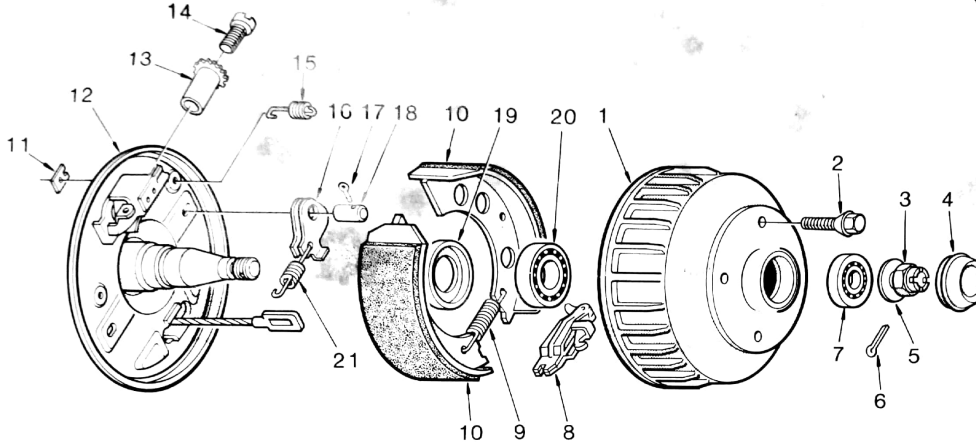
## BRAKES 2051



PART DESCRIPTION	PART No.	PART DESCRIPTION	PART No.	PART DESCRIPTION	PART No.
2 Bowden Cable		6 Brake Shoes	384 294	M 12x1,5	208 167 00 20
Long 350	299 707	7 Tension Spring	208 200 00 07	M 14x1,5	208 167 00 02
530	299 708	8 Expanding Clutch	218 737 04	M 18x1,5	218 568 00 06
770	299 709	9 Bearing LM 67048 / LM 67010	700 771	17 Oil Seal 42x62x7	700 272
890	299 710	10 Brake Drum	357 705	18 Pivot Pin	368 651
1010	299 711	98 x 4 / M 12 x 1,5	357 706	19 Split Pin 4x20 DIN 94	700 192
1130	299 712	100 x 4 / M 12 x 1,5	357 701	20 Pressure Spring	208 880 00 03
1310	299 713	112 x 5 / M 12 x 1,5	357 708	21 Adjuster Assy	387 323
1430	299 714	11 Bearing LM 11949 / LM 11910	700 764	25 Screw	373 245
1610	299 715	12 Split Pin O 4 x 28 DIN 94	701 035	26 Cover Plate	238 261 00 02
1790	299 716	13 Castle Nut M 18 x 1,5 DIN 937	700 117	27 Cover	371 387
3 Link	371 388	14 Grease Cap	208 399 00 02	29 Bush	371 389
4 Tension Spring	218 737 00 03	15 WHEEL BOLT			
5 Transmission Lever (Left)	218 737 07	M 10x1,25	208 892 00 10		
Transmission Lever (Right)	218 737 07	M 12x1,5	208 167 00 18		



BRAKES



Illus. Description	Gross weight 700kg 850 kg		890 kg	1000kg	1300kg	1600kg
	Type 1635 218 887	1636 278 991	2035 238 261	2035 238 356	2050 238 266	2350 218 907
1 Brake drum	218 215 00 04	278 991 00 02	238 270 (*)	238 266 00 04	238 266 00 01	238 352 00 02
2 Wheel bolt	700 754	700 754	700 117	700 117	700 117	700 118
3 Castle nut DIN 937	M 18 x 1.5 218 215 00 05	M 18 x 1.5 218 215 00 05	M 18 x 1.5 208 399 00 02	M 18 x 1.5 208 399 00 02	M 18 x 1.5 208 399 00 02	M 22 x 1.5 206 399 00 02
4 Grease cap	700 372	700 372	700 194	700 194	700 194	700 196
5 Lock washer	Ø 3 x 30 DIN 94	Ø 4 x 28	Ø 4 x 30	Ø 4 x 30	Ø 4 x 30	Ø 5 x 40
6 Split pin DIN 94	700 950	700 950	700 254	700 254	700 254	700 254
7 Ball bearing DIN 625	6203/C3	6203/C3	6204/C3	6204/C3	6204/C3	6204/C3
7 Taper roller bearing (*alternative)	700 761 30203*	702 103 CONE LM 11749 702 104 CUP LM 11710	700 258 30204*	702 099 CONE KLM 11949 702 100 CUP KLM 11910	702 099 CONE KLM 11949 702 100 CUP KLM 11910	700 260 32005X

# ILLUSTRATED PARTS LIST

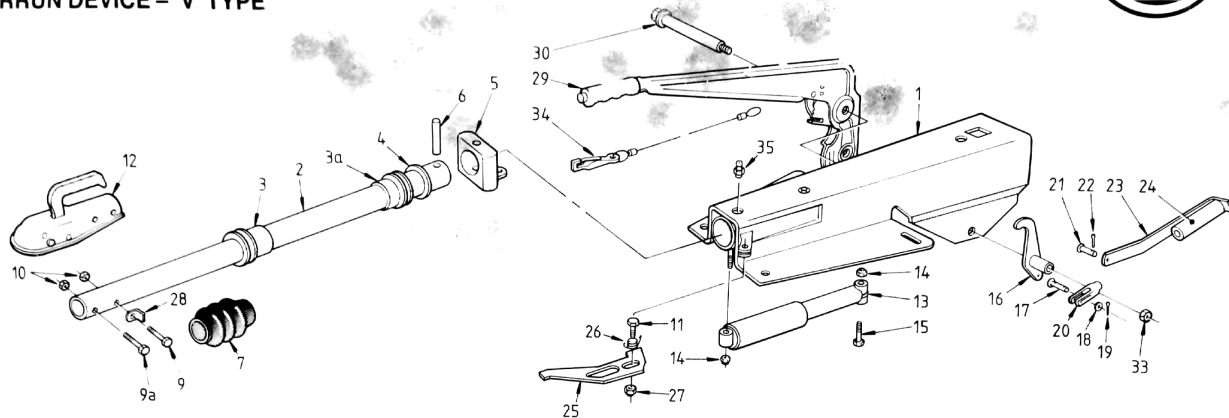


Illus. Description	Gross weight 700kg 850kg		890kg	1000kg	1300kg	1600kg
	Type 1635	1636	2035	2035	2050	2350
	218 887	278 991	238 261	238 356	238 356	218 907
8 Expanding clutch	218 215 03 00	218 215 03 00	208 880 03 00	208 880 03 00	218 737 04 00	218 737 04 00
9 Tension spring	218 215 00 03	218 215 00 03	208 200 00 07	208 200 00 07	208 200 00 07	208 200 00 07
10 Brake shoe	218 887 03 00	278 991 03 00	215 857 03 00	218 857 03 00	218 737 03 00	218 907 03 00
11 Cover plates		238 261 00 02	238 261 00 02	238 261 00 02	238 261 00 02	238 261 00 02
12 Back plate – Right	218 887 01 00	278 991 01 00	238 251 01 00	238 356 01 00	238 266 01 00	218 907 01 00
Back plate – Left	218 887 02 00	278 992 02 00	238 261 02 00	238 356 02 00	238 266 02 00	238 907 02 00
13 Adjusting nut	218 737 08 00	218 887 08 00	218 737 08 00	218 737 08 00	218 737 08 00	218 737 08 00
14 Adjusting screw	218 887 00 02	218 887 00 02	218 737 00 02	218 737 00 02	218 737 00 02	218 737 00 02
15 Pressure spring		208 880 00 03	208 880 00 03	208 880 00 03	208 880 00 03	208 880 00 03
16 Transmission lever-right	216 887 04 00	218 887 04 00	218 737 07 00	218 737 07 00	218 737 07 00	218 737 07 00
Transmission lever-left	218 887 05 00	218 887 05 00				
17 Split pin DIN 94	700 194	700 194	700 194	700 194	700 194	700 194
18 Pivot pin	218 737 00 01	218 737 00 01	218 737 00 01	218 737 00 01	218 737 00 01	218 737 00 01
19 Oil seal	700 777 B30 x 52 x 7	701 511 B40 x 52 x 7	700 272 DF42 x 62 x 7S1	700 272 DF42 x 62 x 7S1	700 272 DF42 x 62 x 7S1	700 272 DF42 x 62 x 7S1
20 Taper bearing DIN 625	700 951 6205/C3	702 105 CONE LM 45449	700 256 6206/C3	702 101 CONE KLM 67048	702 101 CONE KLM 67048	700 261 32007X
20 Taper roller bearing (*alternative)	700 762 30205*	702 106 CUP LM 45410	700 259 30206*	702 102 CUP KLM 67010	702 102 CUP KLM 67010	
21 Tension spring	218 887 00 01	217 887 00 01	218 737 00 03	218 737 00 03	218 737 00 03	218 737 00 03
Bowden Cable 920 long	208 880 04 00	208 880 04 00	208 880 04 00	208 880 04 00	208 880 04 00	208 880 04 00
Bowden Cable 1160 long	208 880 04 01	208 880 04 01	208 880 04 01	208 880 04 01	208 880 04 01	208 880 04 02
Bowden Cable 1310 long	208 880 04 02	208 880 04 02	208 880 04 02	208 880 04 02	208 880 04 02	208 880 04 02
Bowden Cable 780 long	208 880 04 03	208 880 04 03	208 880 04 03	208 880 04 03	208 880 04 03	208 880 04 03
Bowden Cable 580 long	208 880 04 04	208 880 04 04	208 880 04 04	208 880 04 04	208 880 04 04	208 880 04 04

When ordering brake drums, in addition to the part number, please state PCD and wheel bolt size and quantity. (\*) 5 1/2" PCD used up to 1982.



## OVERRUN DEVICE – 'V' TYPE



PART DESCRIPTION	120 SR/1 PART No.	160 SR PART No.	200 SR/1 PART No.	250 S PART No.
1 Hitch body	217 534 01 00	217 361 01 00	217 539 01 00	207 792 01 00
2 Draw shaft	207 389 02 01	217 345 02 01	207 558 02 00	207 792 02 00
3 Bearing bush	207 241 02 02	217 345 02 02	207 558 01 03	207 792 00 03
3a Bearing bush } set only	207 241 02 06	217 345 02 07	207 703 02 01	207 792 00 03
4 Damping rubber	207 241 02 07	207 241 02 07	207 703 02 02	207 257 02 04
5 End block	207 489 02 03	207 241 02 03	207 559 02 01	207 558 02 01
6 Rollpin	700 174/700 226 Ø 12x50/Ø 7x50 DIN 1481	700 174/700 226 Ø 12x50/Ø 7x50 DIN 1481	700 176/700 329 Ø 12x60/Ø 7x60 DIN 1481	700 176/700 329 Ø 12x60/Ø 7x60 DIN 1481
7 Gaiter	207 389 02 10	207 389 02 10	207 389 02 10	207 389 02 10
9 Hexagon bolt	700 223 M 12 x 65 DIN 931	700 223 M 12 x 65 DIN 931	700 061 M 12 x 70 DIN 931	700 061 M 12 x 70 DIN 931



<b>PART DESCRIPTION</b>	<b>120 SR/1 PART No.</b>	<b>160 SR PART No.</b>	<b>200 SR/1 PART No.</b>	<b>250 S PART No.</b>
9a Hexagon bolt	700 222	700 222	700 223	700 223
10 Hexagon nut	M 12 x 60 DIN 931	M 12 x 60 DIN 931	M 12 x 65 DIN 931	M 12 x 65 DIN 931
11 Hexagon bolt	700 645	700 283	700 645	700 283
12 Coupling head	M 12 DIN 980	M 12 DIN 934	M 12 DIN 980	M 12 DIN 934
13 Shock absorber	700 060	700 060	700 060	700 060
14 Hexagon nut	M 12 x 45 DIN 931	M 12 x 45 DIN 931	M 12 x 45 DIN 931	M 12 x 45 DIN 931
15 Hexagon bolt	203 201 00 00	203 173 00 00	203 276 00 00	203 187 00 00
16 Overrun lever	207 755 04 00	207 773 04 00	207 773 04 00	207 773 04 00
17 Bolt	700 122	700 317	700 122	700 317
18 Washer	M 10 DIN 980	M 10 DIN 934	M 10 DIN 980	M 10 DIN 934
19 Split pin	700 059	700 059	700 059	700 059
20 Yoke end	M 10 x 45 DIN 931	M 10 x 45 DIN 931	M 10 x 45 DIN 931	M 10 x 45 DIN 931
21 Bolt	207 489 05 00	207 489 05 00	207 489 05 00	207 489 05 00
22 Split pin	207 389 06 09	207 389 06 09	207 389 06 09	207 389 06 09
23 Tension bar	700 139	700 139	700 139	700 139
24 Spring cylinder	A 10,5 DIN 125	A 10,5 DIN 125	A 10,5 DIN 125	A 10,5 DIN 125
25 Reverse lock	700 191	700 191	700 191	700 191
26 Torsion spring	Ø 3 x 20 DIN 94	Ø 3 x 20 DIN 94	Ø 3 x 20 DIN 94	Ø 3 x 20 DIN 94
27 Hexagon nut	207 389 06 06	207 389 06 06	207 389 06 06	207 389 06 06
28 Bracket	207 681 06 09	207 389 06 09	207 681 06 09	207 389 06 09
29 Hand brake lever	700 192	700 192	700 192	700 192
30 Pivot pin	Ø 4 x 20 DIN 94	Ø 4 x 20 DIN 94	Ø 4 x 20 DIN 94	Ø 4 x 20 DIN 94
33 Hexagon nut	207 683 06 08	207 683 06 08	207 683 06 08	207 683 06 08
34 Break away cable	207 502 06 01	207 489 06 01	207 705 06 01	207 705 06 01
35 Grease nipple	207 489 03 00	207 489 03 00	207 489 03 00	207 792 03 00
	207 240 03 03	207 240 03 03	207 240 03 03	207 240 03 03
	700 645	700 645	700 645	700 645
	M 12 DIN 980	M 12 DIN 980	M 12 DIN 980	M 12 DIN 980
	207 240 02 07	207 240 02 07	207 240 02 07	207 240 02 07
	204 549 00 00	204 549 00 00	204 549 00 00	204 549 00 00
	207 771 05 03	207 771 05 03	207 771 05 03	207 771 05 03
	700 645	700 283	700 645	700 283
	M 12 DIN 980	M 12 DIN 934	M 12 DIN 980	M 12 DIN 934
	209 157 00 00	209 157 00 00	209 157 00 00	209 157 00 00
	700 204	700 204	700 204	700 204
	M 8 x 1 DIN 71412	M 8 x 1 DIN 71412	M 8 x 1 DIN 71412	M 8 x 1 DIN 71412



No.	Part No. 161S 290 874 00 00	Part No. 251S 290 875 00 00	Description	No.	Part No. 161S 290 874 00 00	Part No. 251S 290 875 00 00	Description
1	354 200	354 260	Body Assembly	14	357 725	357 725	Gas Strut
2	353 942	353 942	Rear Bush	15	357 633	357 633	Fixing bolt
3	353 943	353 943	Front Bush	16	354 405	354 405	Overrun Lever Assy.
4	700 204	700 204	Grease Nipple AM8xl	17	700 203	700 203	Grease Nipple AM 6
5	354 207	354 225	Drawshaft Tube		354 410	354 410	Lever & Pivot Assy.
	354 201	354 262	Drawshaft Assembly	18	217 771 05 03	217 771 05 03	Pivot Pin
6	353 936	355 338	Damper	19	700 645	700 645	Lock Nut M12
7	353 952	355 140	Buffer	20	700 625	700 625	Washer Ø 17
8	355 767	357 242	Spacing Bush	21	203 318 00 00	203 322 00 00	Coupling Head
9	353 937	353 937	Gaiter		354 204	354 204	Coupling Head Assy.
10	358 212	358 212	Damper Fixing Bolt	22	701 249	701 249	Hex. Bolt M12 x 75
11	700 140	700 140	Washer Ø 13	23	700 123	700 123	Lock Nut NM 12
12	700 645	700 645	Locknut M12	24	353 944	353 944	Cover Plate
	219 010 00 00	219 010 00 00	Handbrake Assembly	25	209 157 00 00	209 157 00 00	Breakaway Cable
13*	354 440	354 440	Handbrake Lever	26	204 547 01 02	204 547 01 02	Burst Ring

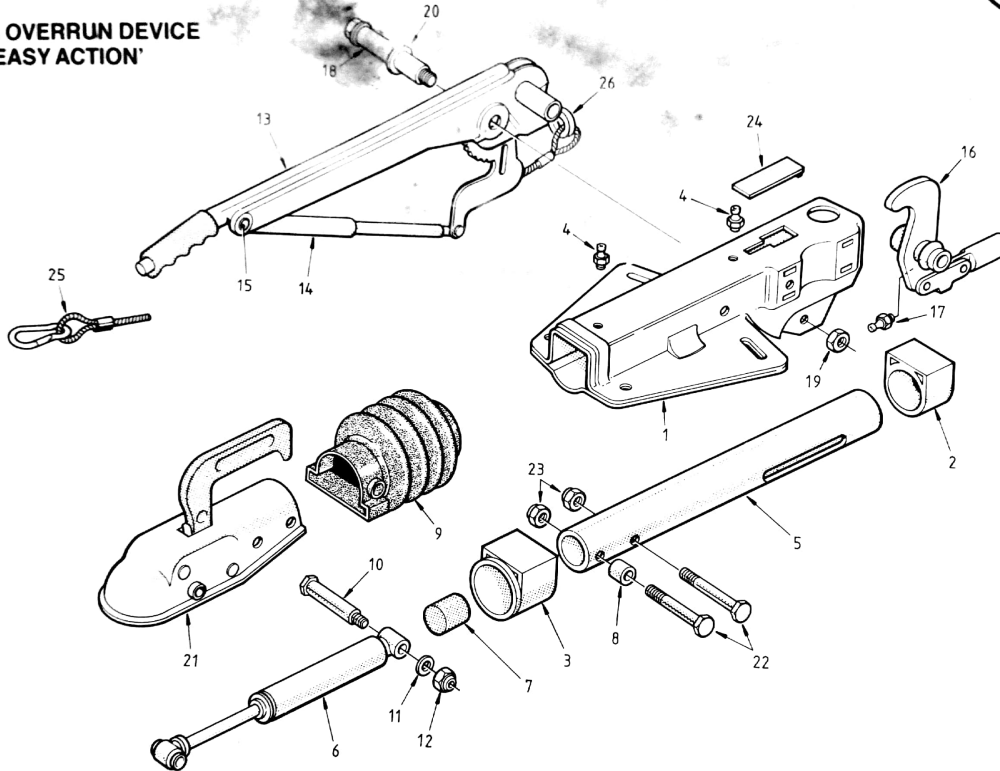
\* For 161S (217 900 00 00) with standard handbrake, use the following part numbers:

- 13. 354 259 Handbrake lever.
  - 207 683 06 08 Tension Bar
  - 207 502 06 01 Spring Cylinder
- } As per items 23 & 24  
on Page 6 4

# ILLUSTRATED PARTS LIST



161S AND 251S OVERRUN DEVICE  
FITTED WITH 'EASY ACTION'  
HAND BRAKE



# ILLUSTRATED PARTS LIST



PART DESCRIPTION	60 S PART No.	90 S/2 PART No.	90 S/3 PART No.	PART DESCRIPTION	60 S PART No.	90 S/2 PART No.	90 S/3 PART No.
1 Hitch body	2 07 738 01 00	2 17 535 01 00	354 000	20 Yoke end	2 07 389 06 06	2 07 389 06 06	2 07 389 06 06
2 Draw shaft	2 07 764 02 00	2 07 320 02 00	384 654	21 Bolt	2 07 681 06 09	2 07 681 06 09	2 07 681 06 09
3 Bearing bush	2 07 241 02 02	2 07 241 02 02	2 07 241 02 06	22 Split pin	○ 4 x 20 700 192	○ 4 x 20 700 192	○ 4 x 20 700 192
3a Bearing bush } set only	2 07 241 02 06	2 07 241 02 06	2 07 241 02 06	23 Tension Bar	2 07 683 06 08	2 07 683 06 08	2 07 683 06 08
4 Damping rubber	2 07 241 02 07	2 07 241 02 07	2 07 241 02 07	24 Spring cylinder	2 07 502 06 01	2 07 502 06 01	2 07 502 06 01
7 Gaiter	2 07 389 02 10	2 07 389 02 10	2 07 389 02 10	25 Reverse Lock	2 07 489 03 00	2 07 489 03 00	2 07 489 03 00
9 Hexagon bolt	M 12 x 65 700 223 DIN 931	M 12 x 65 700 223 DIN 931	M 12 x 55 700 645 DIN 931	26 Torsion spring	2 07 240 03 03	2 07 240 03 03	2 07 240 03 03
9a Hexagon bolt	M 12 x 55 700 281 DIN 931	M 12 x 55 700 281 DIN 931	M 12 x 55 700 645 DIN 931	27 Hexagon nut	M 12 700 645 DIN 980	M 12 700 645 DIN 980	M 12 700 645 DIN 980
10 Hexagon nut	M 12 700 645 DIN 980	M 12 700 645 DIN 980	M 12 700 645 DIN 6925-8	28 Bracket	2 07 240 02 07	2 07 240 02 07	2 07 240 02 07
11 Hexagon bolt	M 12 x 45 700 060 DIN 931	M 12 x 45 700 060 DIN 931	203 201	29 Hand brake lever	2 04 549 00 00	2 04 549 00 00	204 549 00 00
12 Coupling head	2 03 251 00 00	2 03 201 00 00	359 987	30 Pivot pin	2 07 771 05 03	2 07 771 05 03	2 07 771 05 03
13 Shock absorber	3 54 029	3 59 987	359 987	33 Hexagon nut	M 12 700 645 DIN 980	M 12 700 645 DIN 980	M 12 700 645 DIN 6925-8
14 Hexagon nut	M 10 700 122 DIN 980	M 10 700 122 DIN 980	368 820	34 Break away cable	2 09 157 00 00	2 09 157 00 00	368 605
15 Plate	2 07 681 01 05	2 07 681 01 05	354 013	34a Burst Ring			
16 Overrun level	2 07 489 05 00	2 07 489 05 00	702 121	35 Grease nipple	M 8 x 1 700 204	M 8 x 1 700 204	M 8 x 217 171 00
17 Bolt	2 07 389 06 09	2 07 389 06 09	700 139	36 Connecting bolt	2 07 320 02 03	2 07 320 02 03	2 07 320 02 03
18 Washer	A 10 700 139 DIN 125	A 10 700 139 DIN 125	DIN 125	37 Hexagon nut	M 8 x 1 700 224 DIN 936	M 8 x 1 700 224 DIN 936	M 8 x 1 700 224 DIN 936
19 Split pin	○ 3 x 20 700 191 DIN 94	○ 3 x 20 700 191 DIN 94	○ 3 x 20 700 191	38 Hexagon nut	M 10 700 122	M 10 700 122	M 10 700 109
				38a Hexagon nut			M 10 700 644
				39 Hexagon bolt	DIN 980 M 10 x 55 700 275 DIN 931	DIN 980 M 10 x 55 700 275 DIN 931	DIN 934 M 10 700 275 DIN 931
				40 Washer	○ 17 700 273 DIN 433	○ 17 700 273 DIN 433	○ 17 700 273 DIN 433

\*Items 36 & 37 are not required with the latest Shock Absorbers which now have an eye fixing at the coupling head end.





## Your choice for all seasons

AL-KO B & B Limited, Queensway, Royal Leamington Spa, Warwickshire, CV31 3JP Tel: (0926) 452828 Telex 311371 Fax (0926) 316626

---

Printed by Warwick Printing Co. Ltd., Theatre Street, Warwick CV34 4DR

Designed in England by S.A.C. Technographic Ltd © 1989